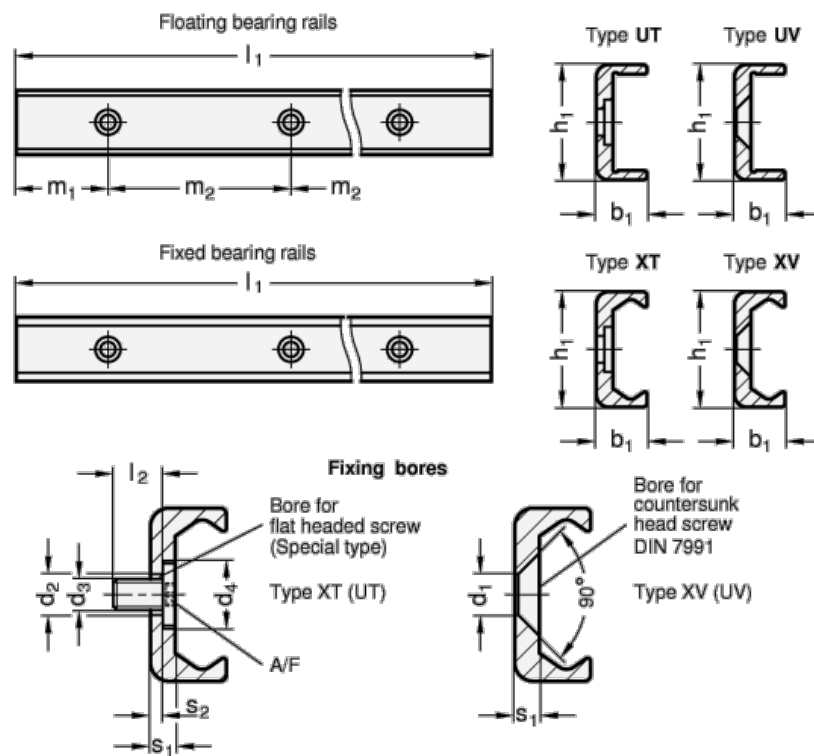


Article number: 2024222880040XV

Description: E+G Compact Profile GN 2422-28-800-40

Measures



A/F =	L2 =	=
b1 = 12.3	m1 =	40
d1 = 5.5	m2 =	80
d2 =	s1 =	4
d3 =	s2 =	=
d4 =	Weight in (g) =	968
h1 = 28		
L1 = 800		